



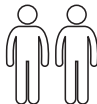
Kave® Cares



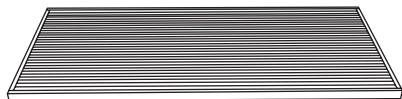
15 min



x1



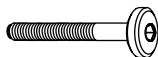
x2



**A x1**



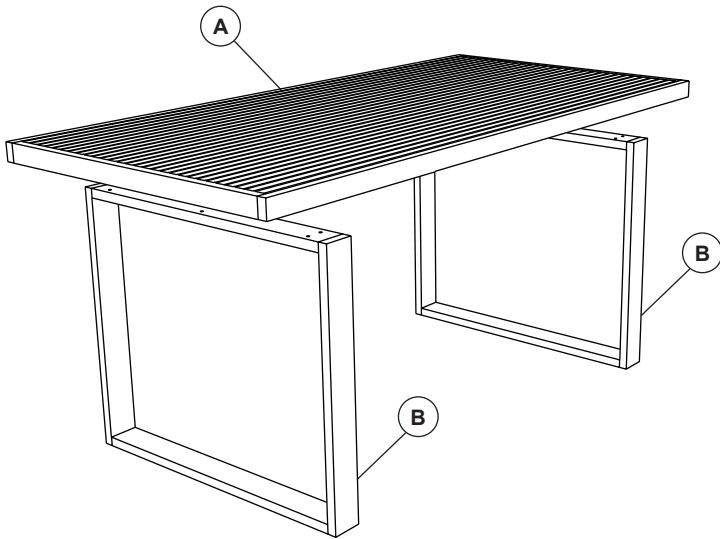
**B x2**



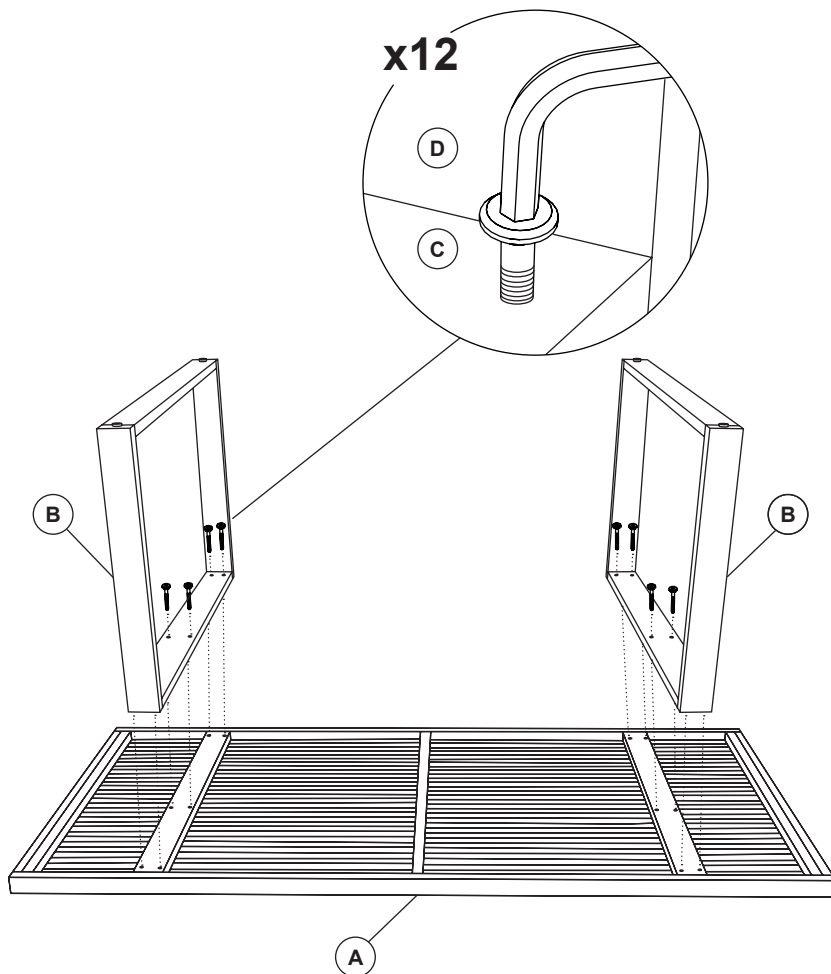
**C x12**

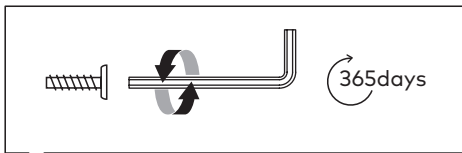
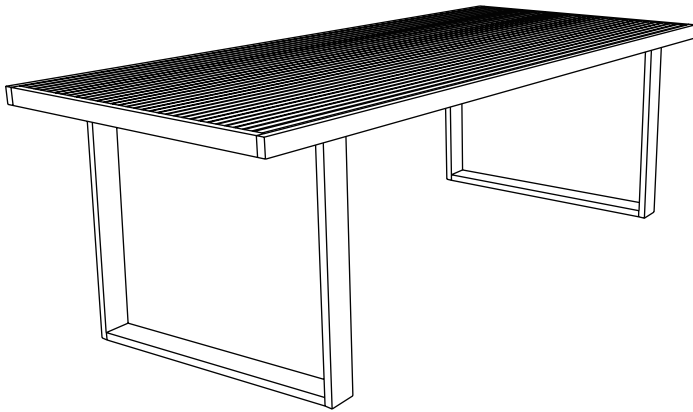


**D x1**



1









**THAT'S ALL FOLKS**

Share your style!

#KaveHome

