


for GU10

OFF 

H.
min. 90mm

220 X 102 mm

1

2

3


4

5 not incl

refs. 43403, 43413

100V~240V
~50Hz/60Hz

for MR 16

OFF 

H.
min. 70mm

220 X 102 mm

1

2

3

4

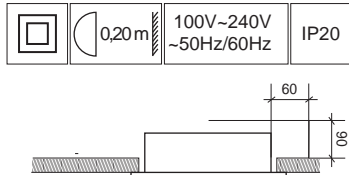
5 not incl

refs. 43403, 43413

12V

LIGHT SOURCE OPTIONS - OPCIONES DE FUENTE DE LUZ

GU10 MAX 8W LED (not included)
socket - portalámparas (not included)



MR16 12V MAX 8W LED (not included)
socket - portalámparas (not included)
gear - equipo (not included)

