



Kave® Cares



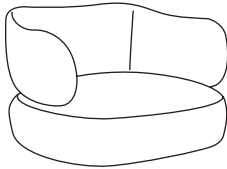
10 min



x2



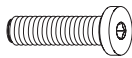
x1



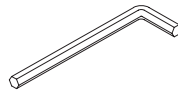
**A** x1



**B** x4



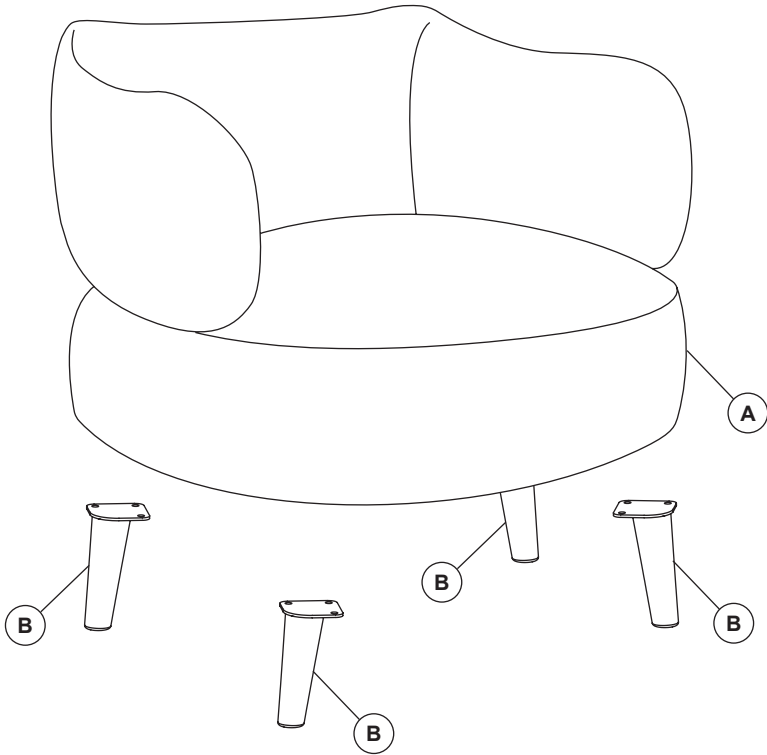
**C** x12  
M6x25mm



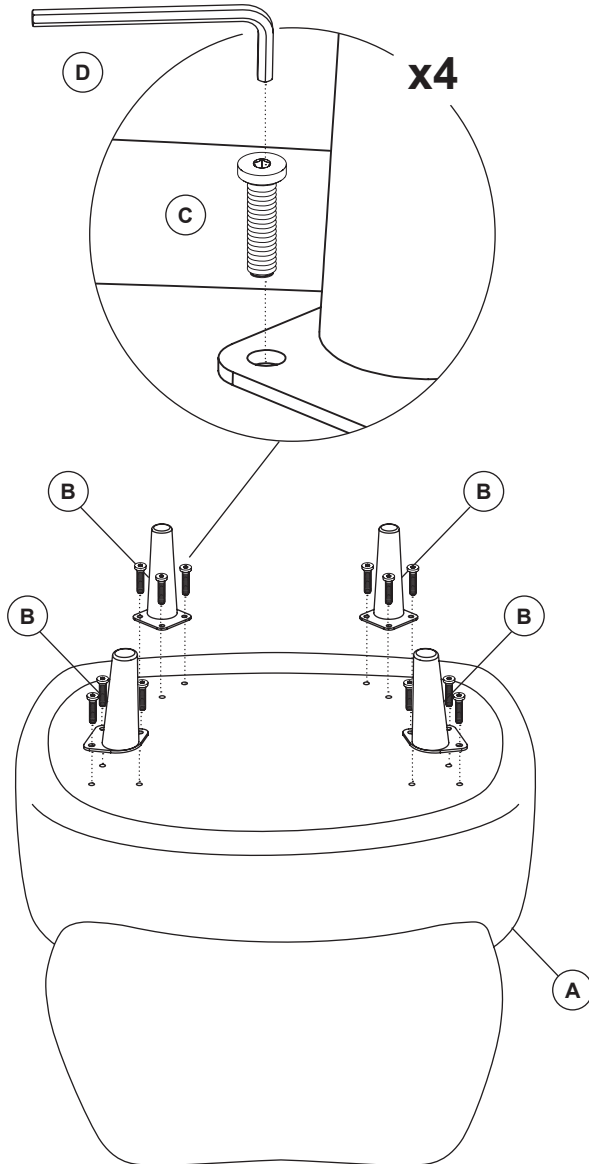
**D** x1  
M6



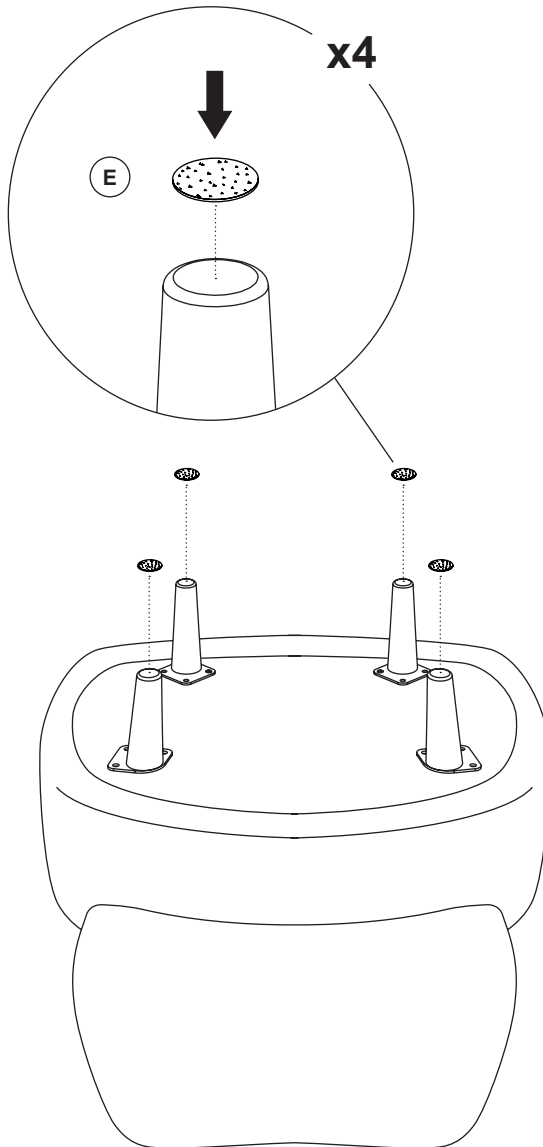
**E** x4

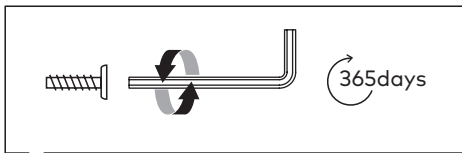
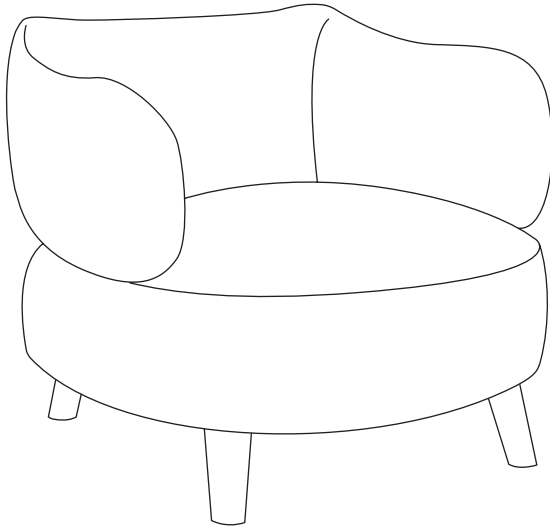


1



2







**THAT'S ALL FOLKS**

Share your style!

#KaveHome

