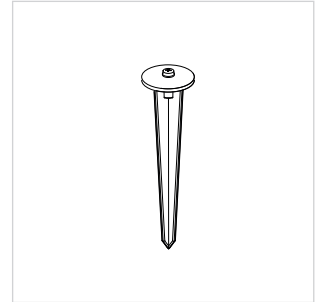
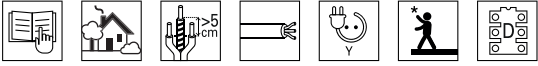


Post

PX-0135

FOR
LIGHT



1

2

L = L
N = N

Ømin = 5.7mm
Ømax = 6.7mm

3

GU10

4

5

ON