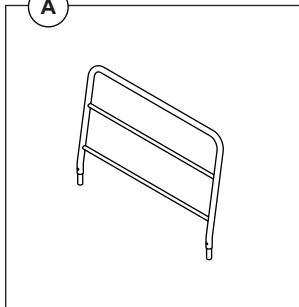
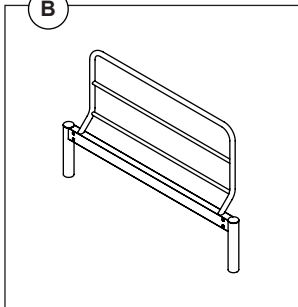




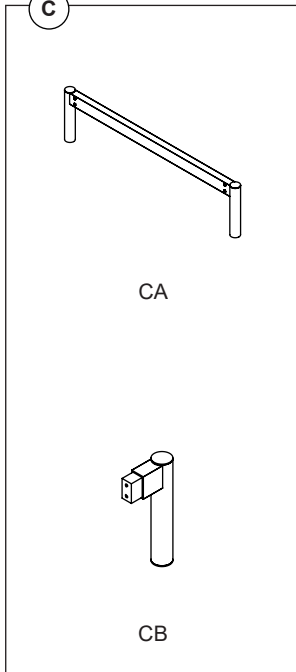
A



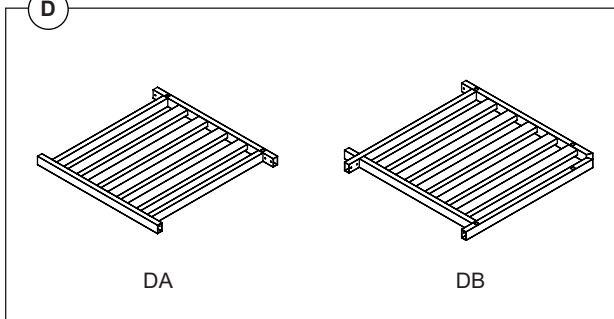
B



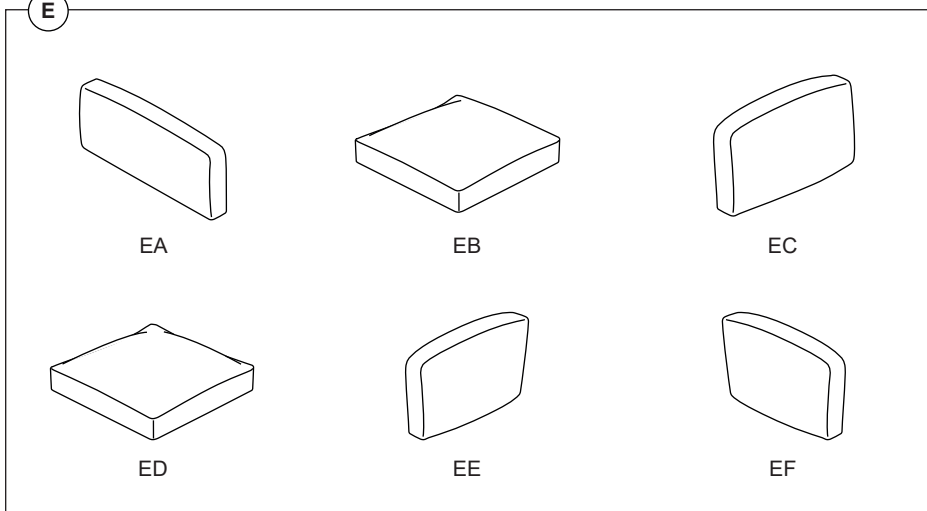
C



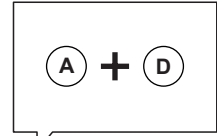
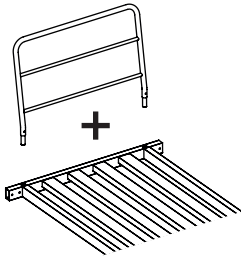
D



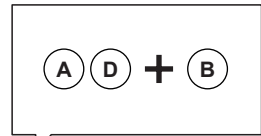
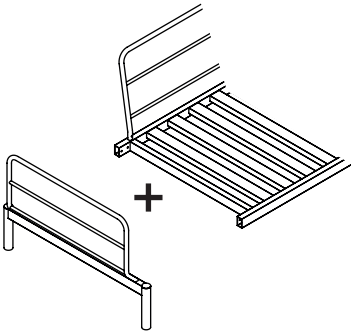
E



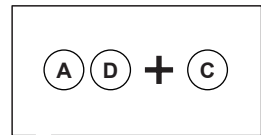
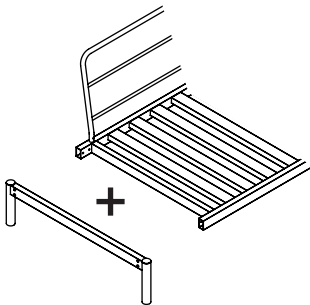
P. 5



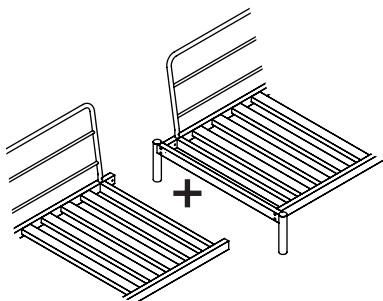
P. 9



P. 13



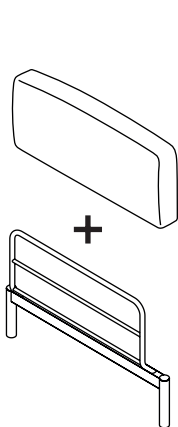
P. 7



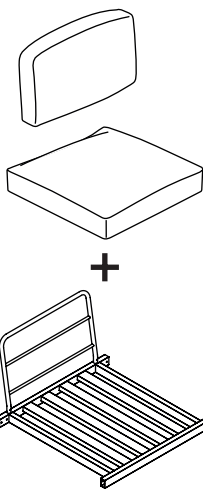
A D B + A D



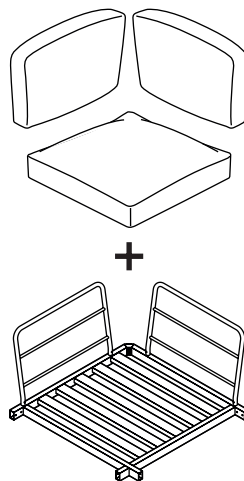
P. 25



B + E

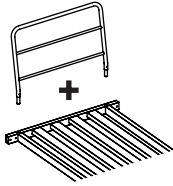


DA A + E



DB A + E





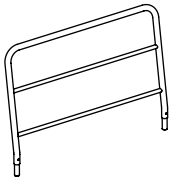
A + D



5 min

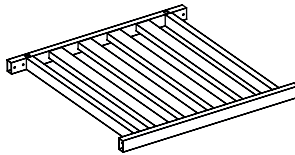


x1



A

x1

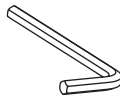


D

DA / DB x1

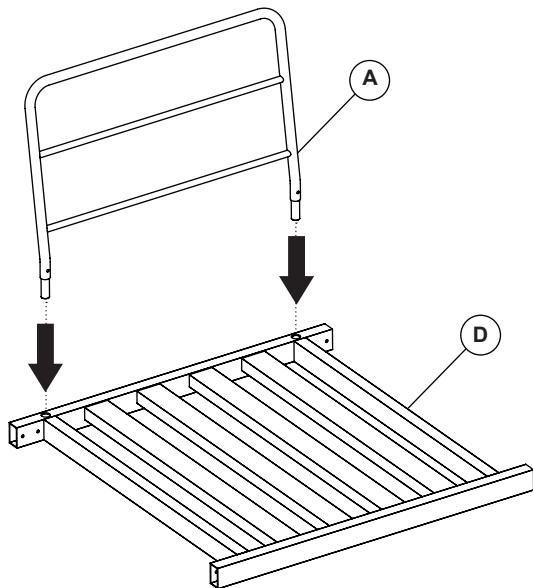


F x2
M8x20mm

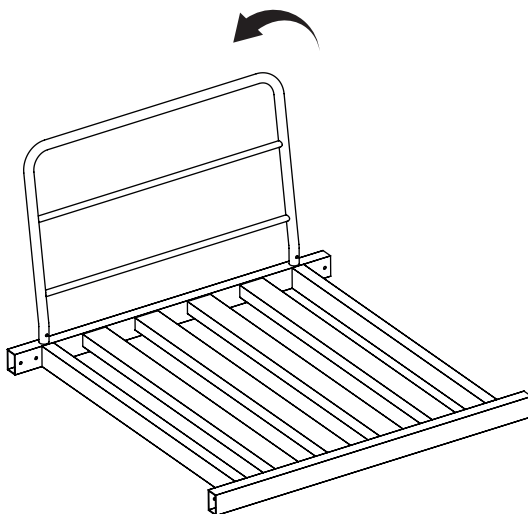


G x1
6mm

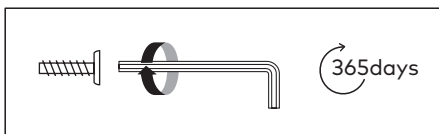
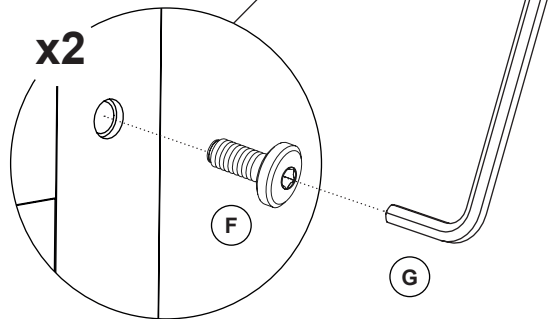
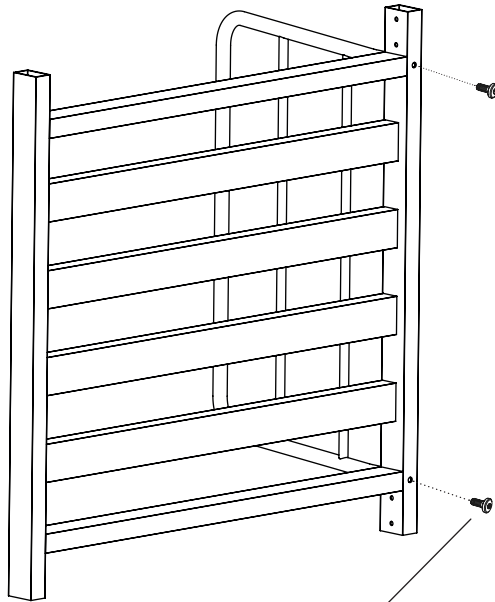
1

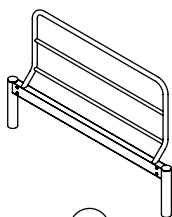
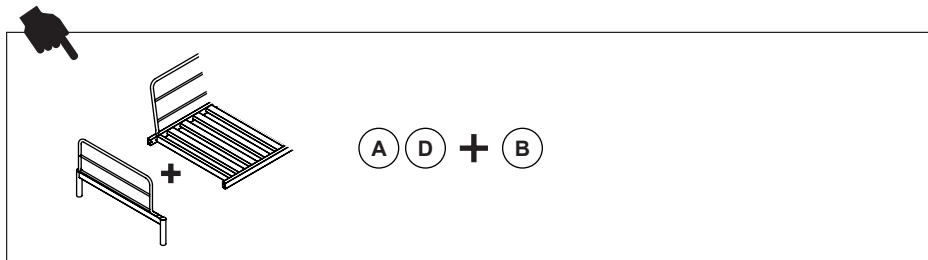


2

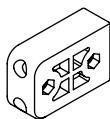


3





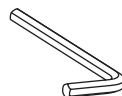
B
x1



H x2



I x4
M6x65mm

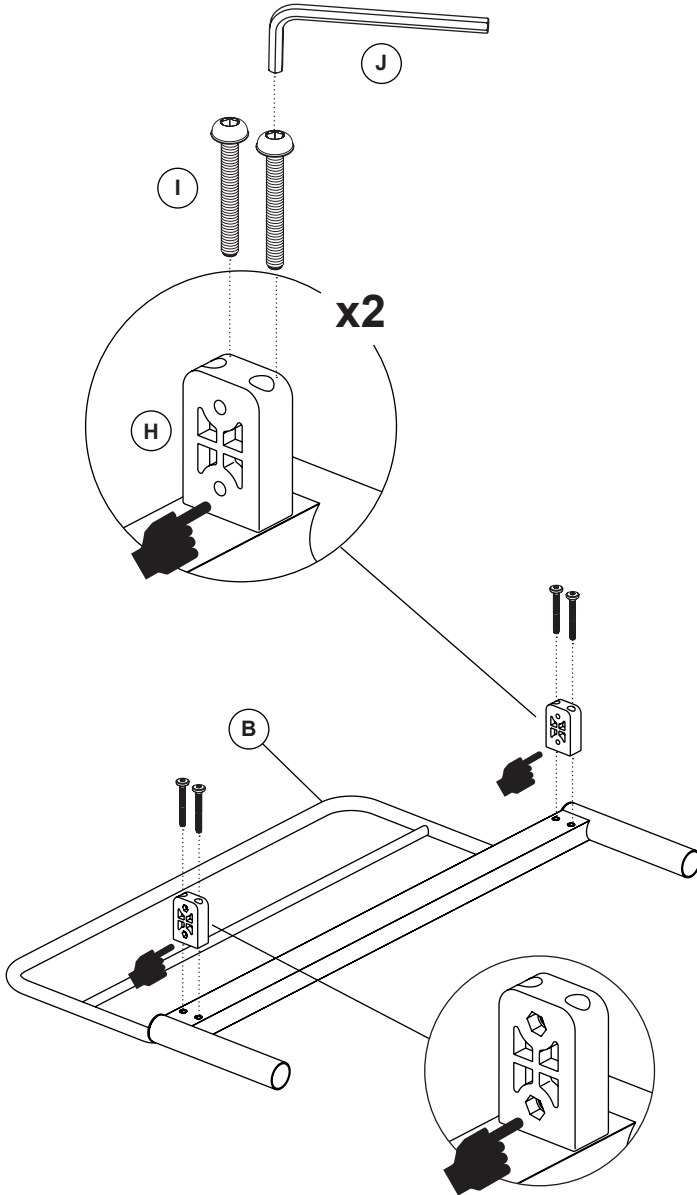


J x1
5mm

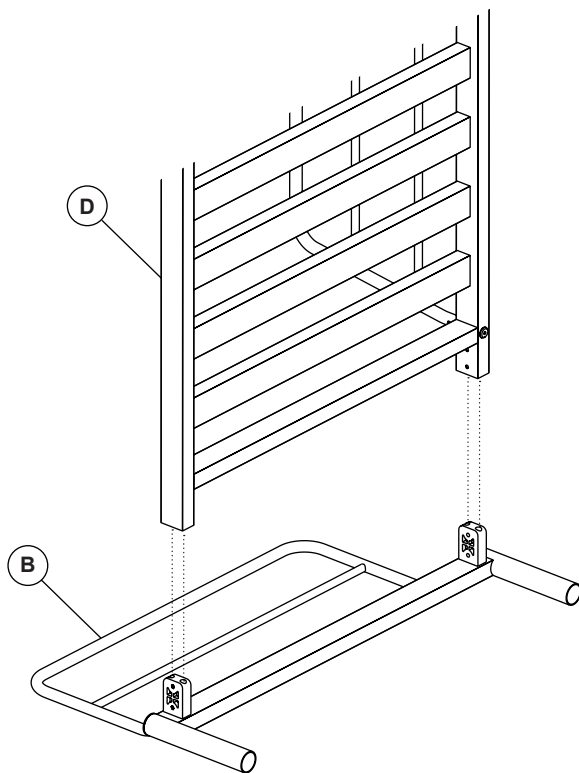


L x4
M6x25mm

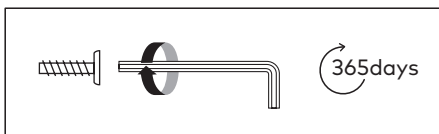
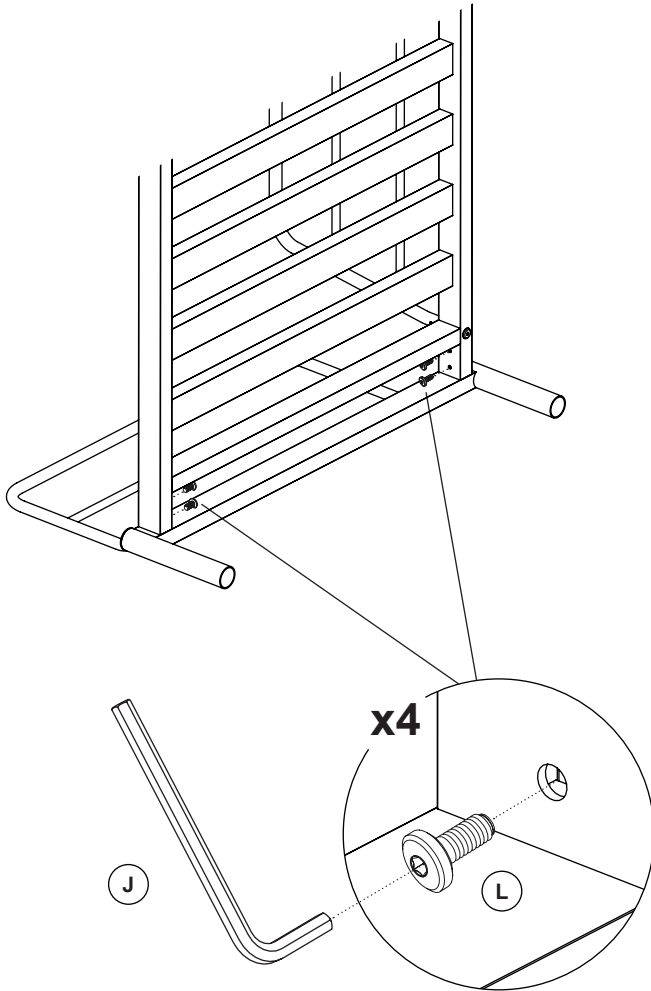
4

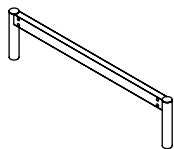
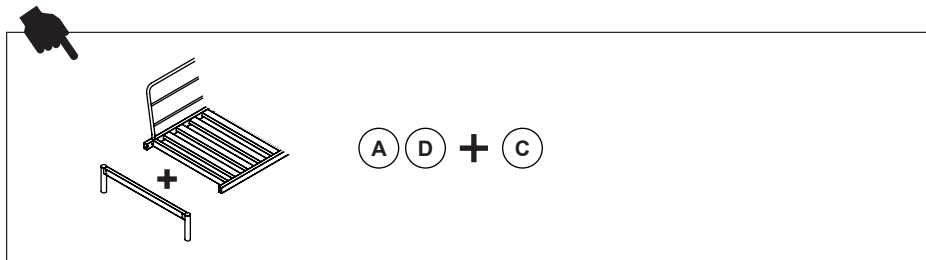


5

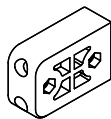


6





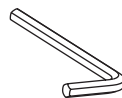
CA
x1



H x2



I x4
M6x65mm



J x1
5mm

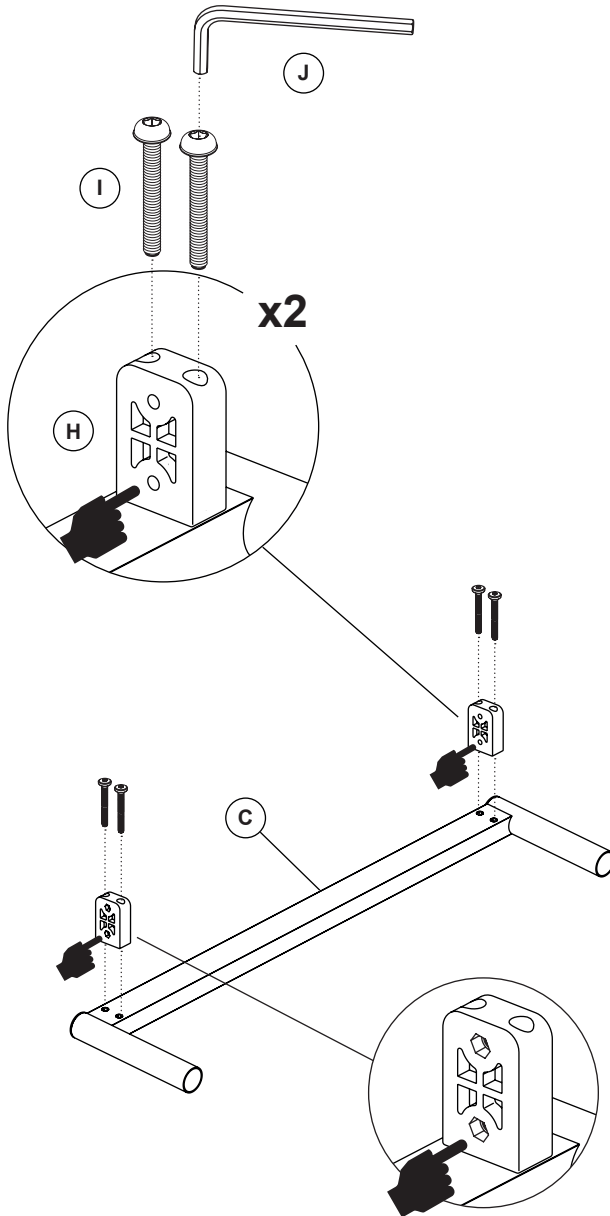


K x4

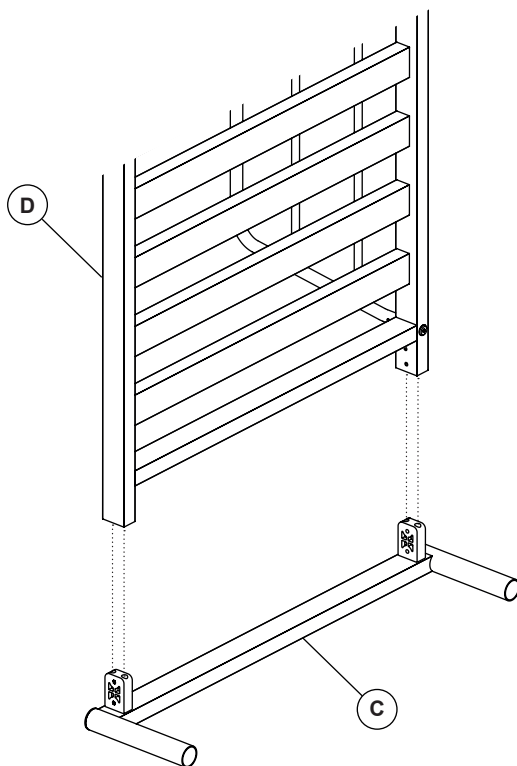


L x4
M6x25mm

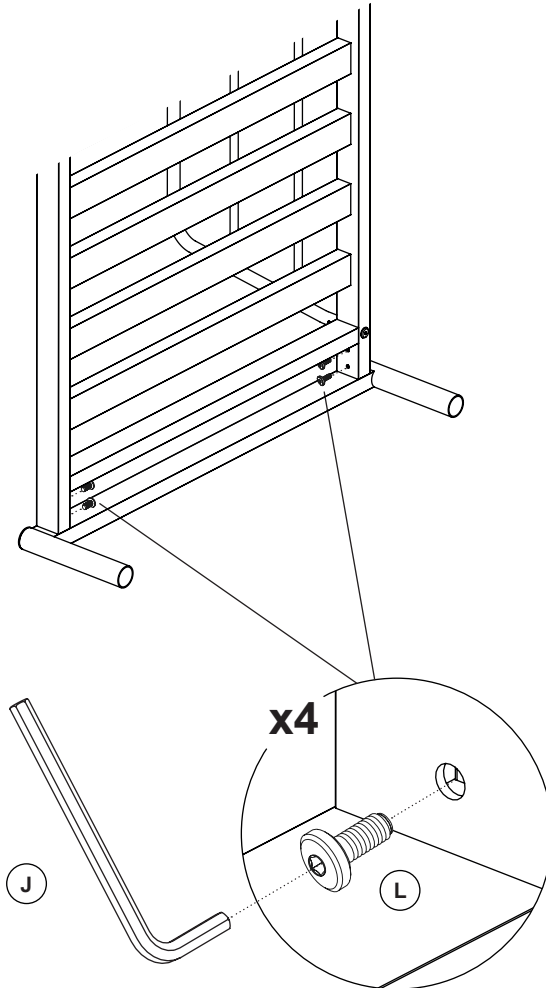
7

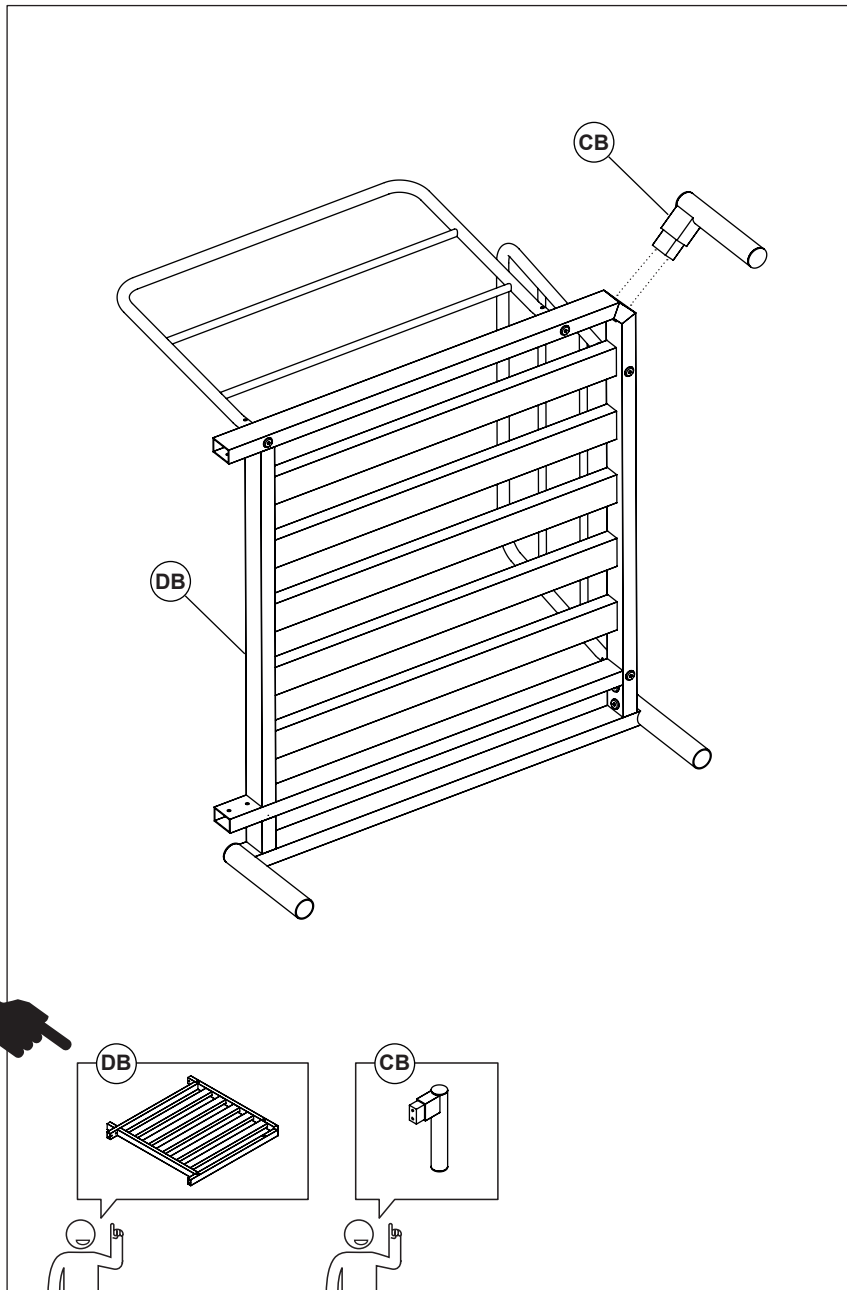


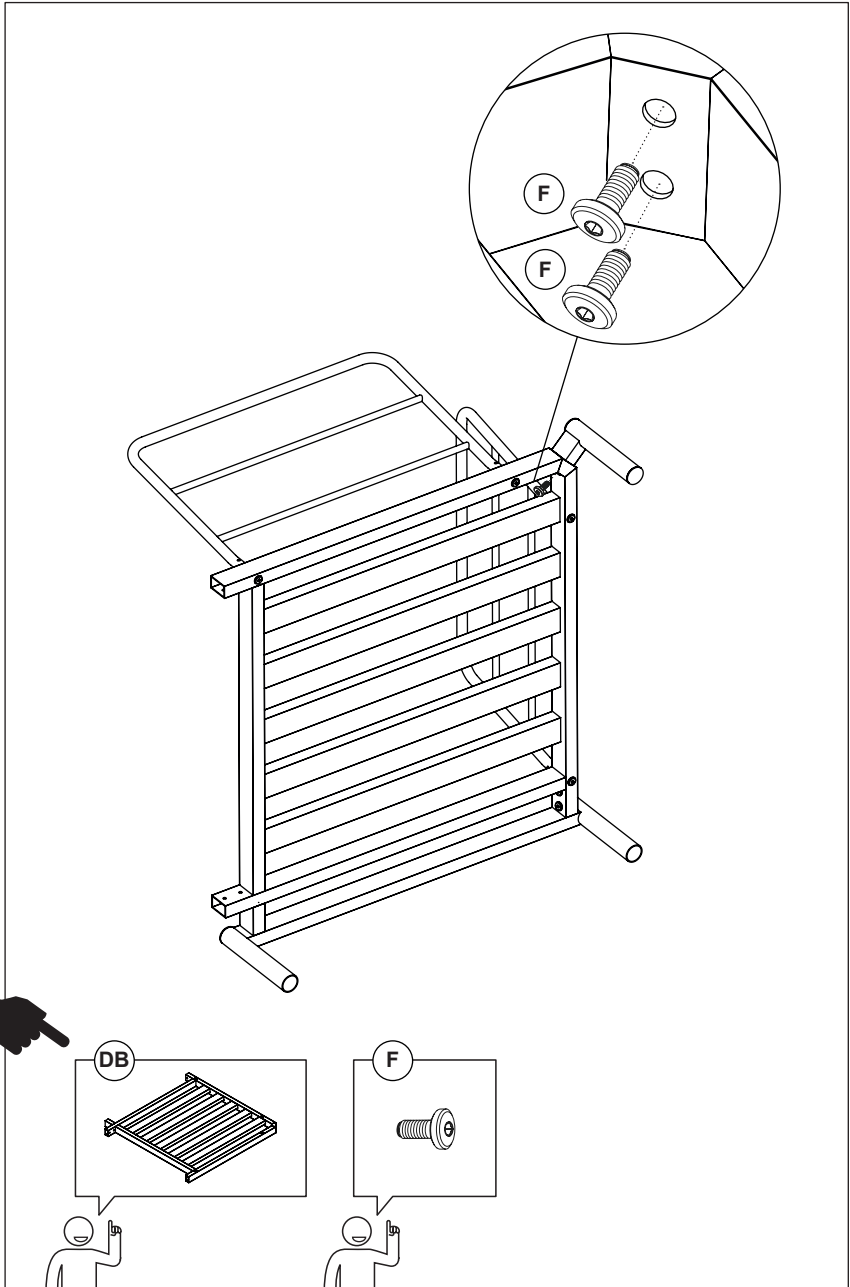
8



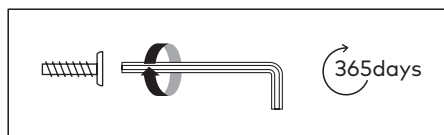
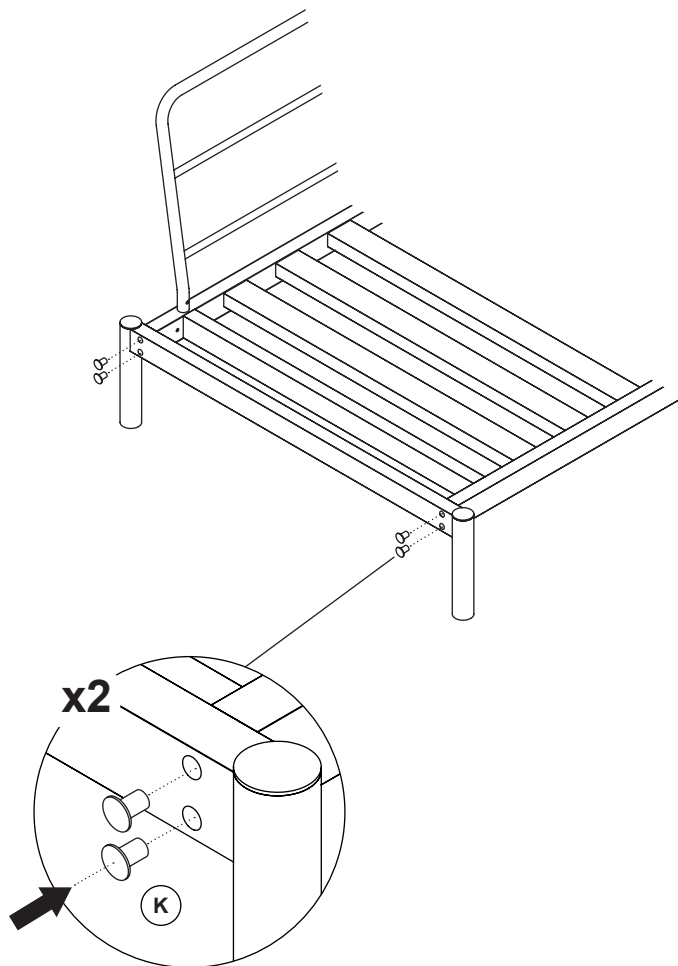
9

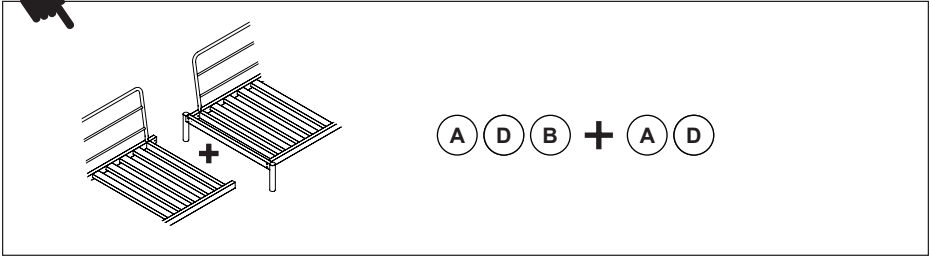






10

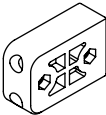




10 min



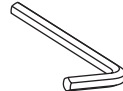
x1



H x2



I x4
M6x65mm

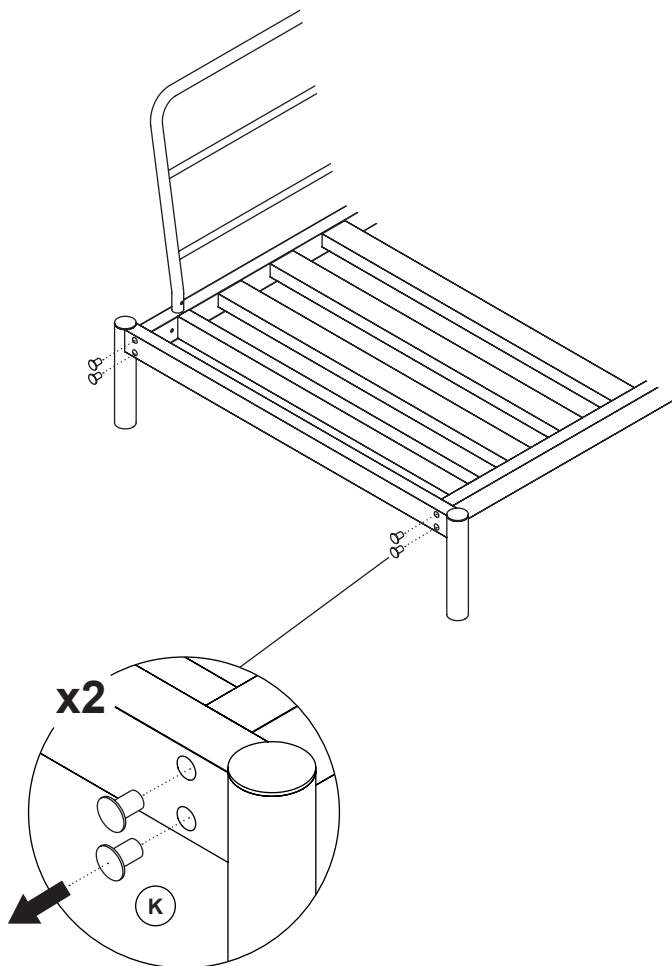


J x1
5mm

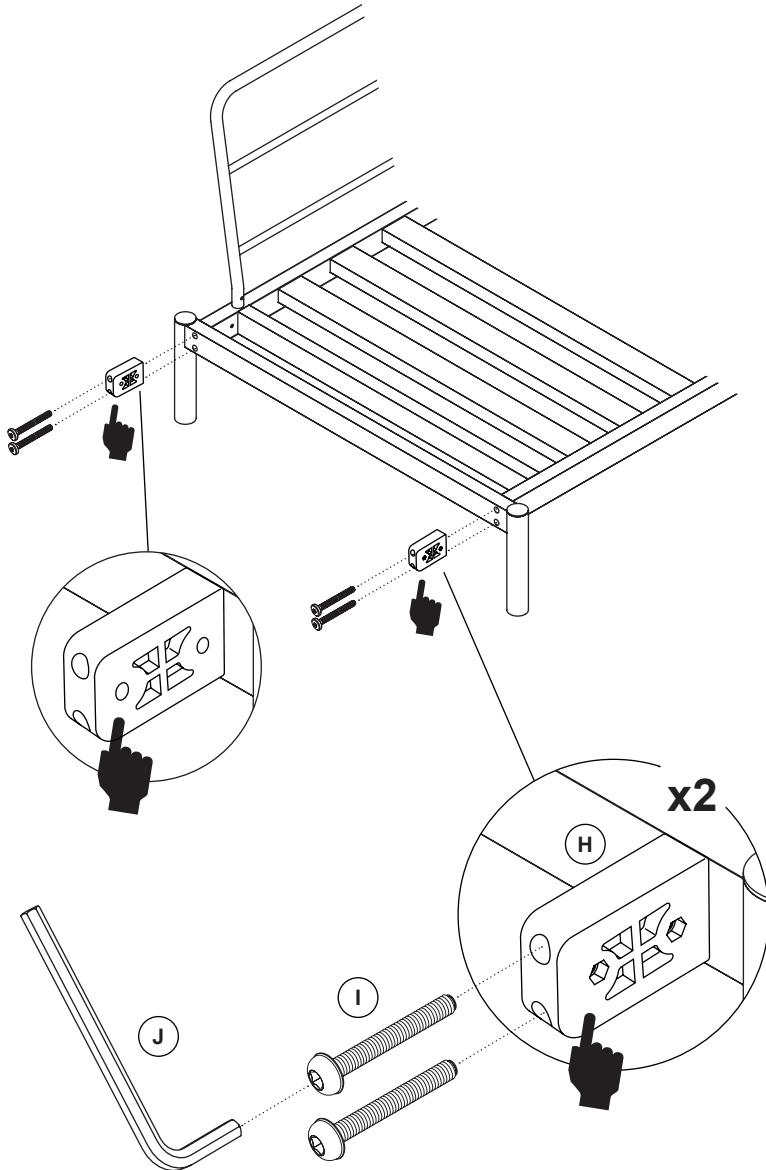


L x4
M6x25mm

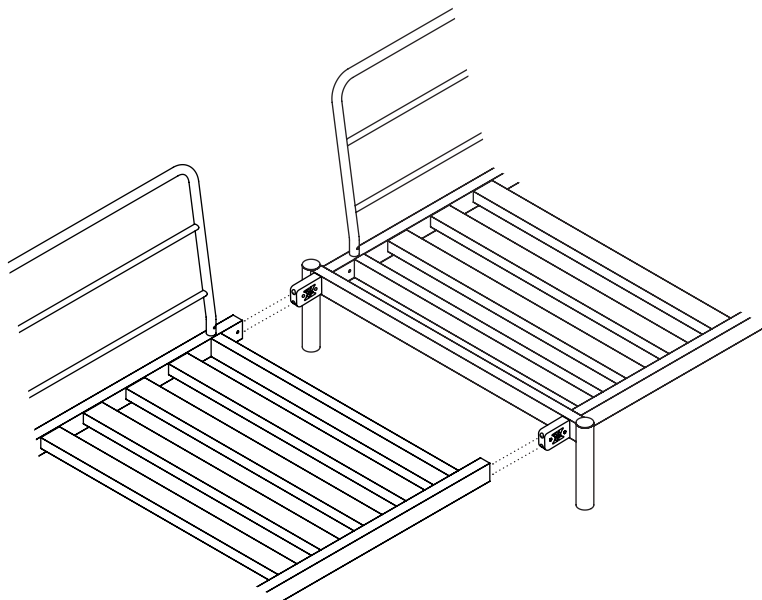
11



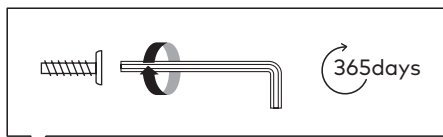
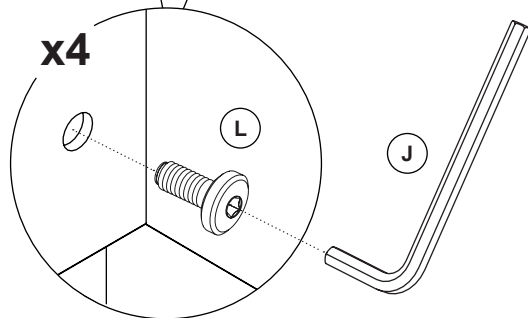
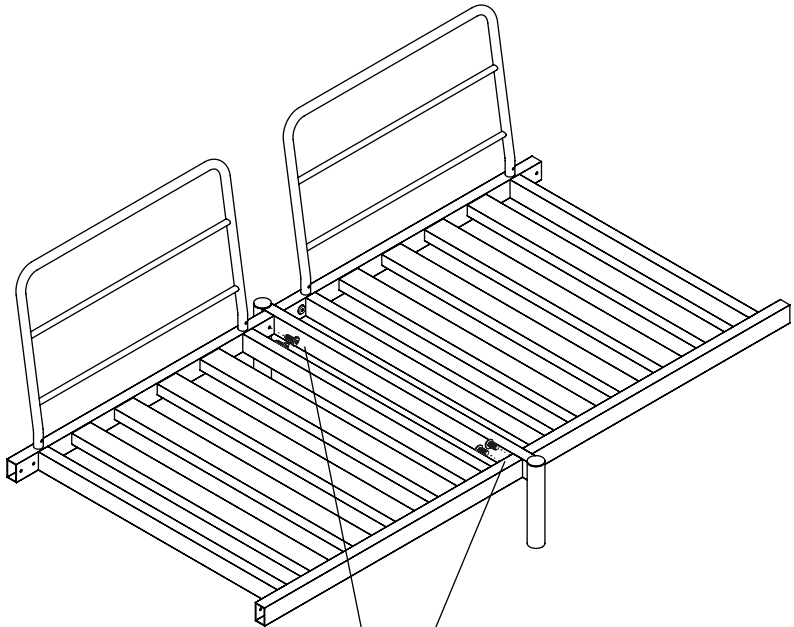
12

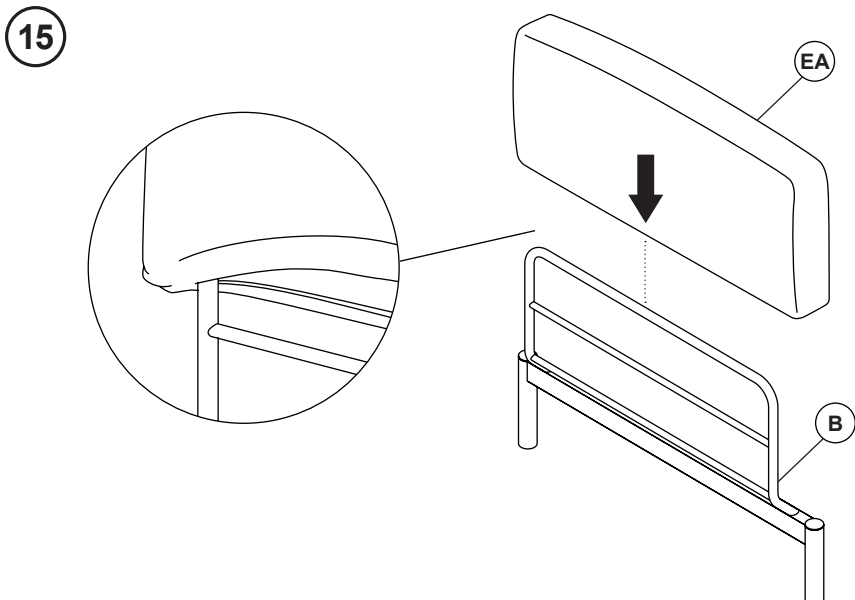
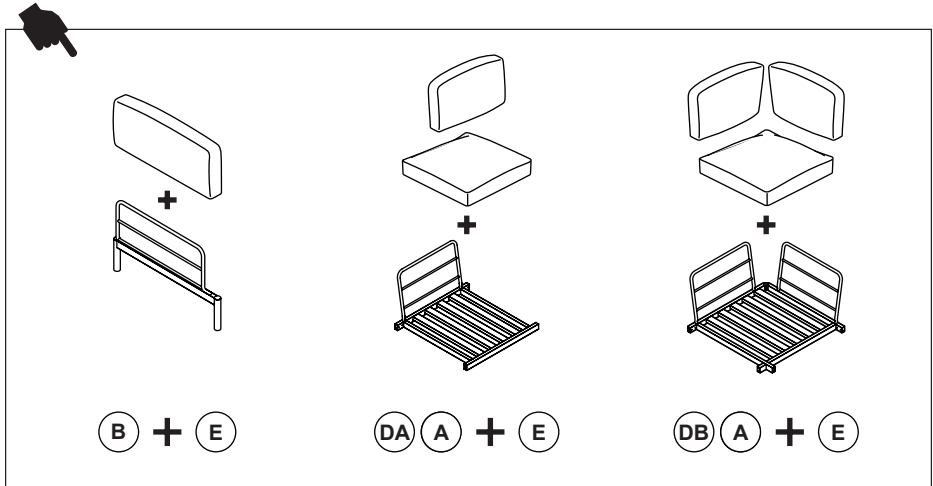


13

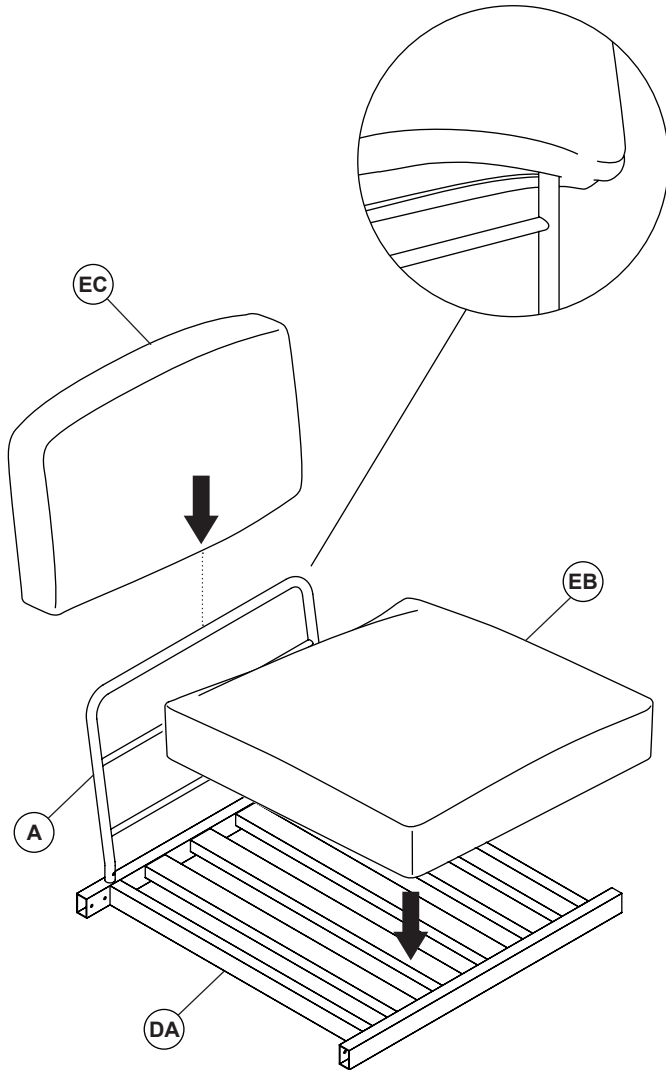


14

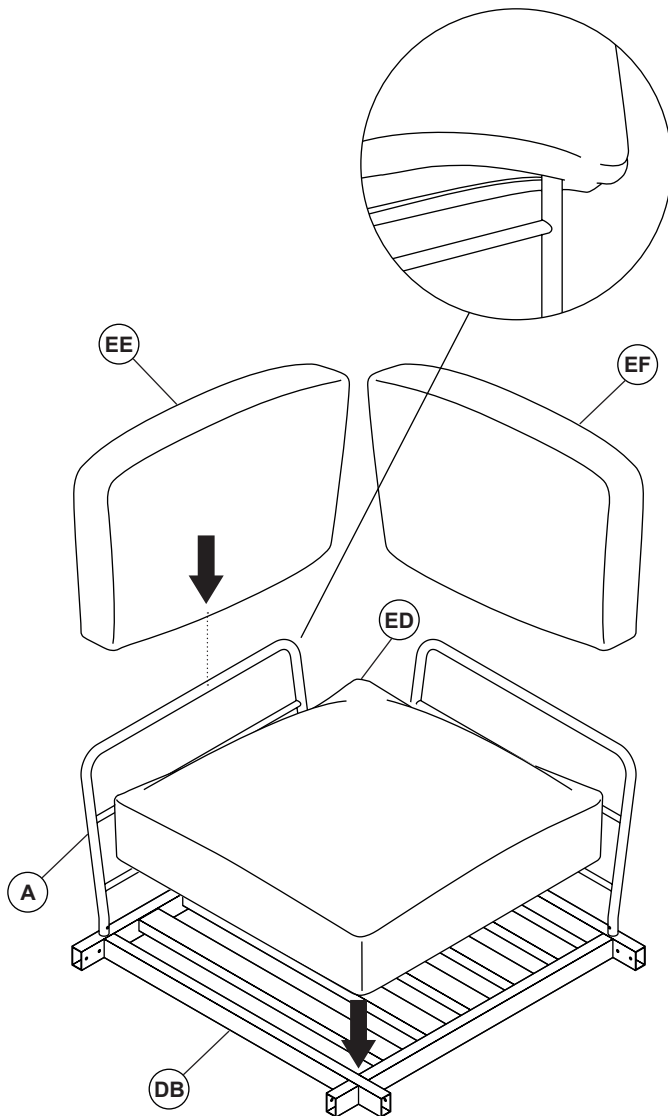




16



17





THAT'S ALL FOLKS

Share your style!

#KaveHome

