

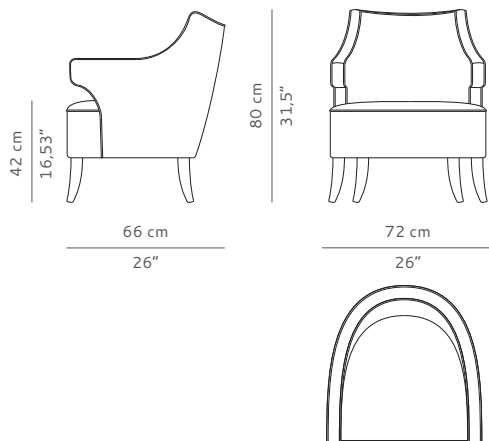


CASEGOODS UPHOLSTERY LIGHTING RUGS ART ACCESSORIES



JAVA | ARMCHAIR

The unbridled desire to discover the world led us to Java, the Indonesian island where Jakarta is located. Known for its stunning landscapes, it is also the most populous island on Earth, becoming an enthralled paradise between graceful nature elements and a rich cultural heritage. These are the roots of JAVA, BRABBU's new modern armchair, inspired by the island's Buddhist temples and monuments, as a tribute to this millenary religion. JAVA armchair is fully upholstered with velvet, and it is as comfortable as its wide but slim lines seem like. An accurate example of elegance and boldness, embracing the strength of the Indonesian traditions and beliefs. A sober, yet, distinctive piece that will add a unique touch to any contemporary home décor.



DIMENSIONS

WIDTH	72 cm 28,35"
DEPTH	66 cm 26"
HEIGHT	80 cm 31,5"
SEAT HEIGHT	42 cm 16,53"
SEAT DEPTH	54 cm 21,3"
ARM REST HEIGHT	62 cm 24,4"

MATERIALS

FABRIC	Cotton velvet
FABRIC REFERENCE	BB Moss I Color 27
FABRIC NEEDED	4,50 mts 178" (Standard width 1,40mts 55")
LEGS	Fully upholstered

FABRIC / LEATHER REQUEST

COM	4,50 mts 178" (Standard width 1,40mts 55")
COL	72 sq ft

PACKAGING

DIMENSIONS	W 79 cm 31,1" D 73 cm 32,2" H 87 cm 29,5"
VOLUME	0,50 m ³ 17,65 ft ³
WEIGHT	25 kg 55,11 lbs

LEAD TIME

Production time is between 6 to 8 weeks for BRABBU collections.
Delivery time is not included.

All of our furniture can be made to measure and it is available in different finishes.
Please note that the colours and materials shown are for reference only and small variations may occur.