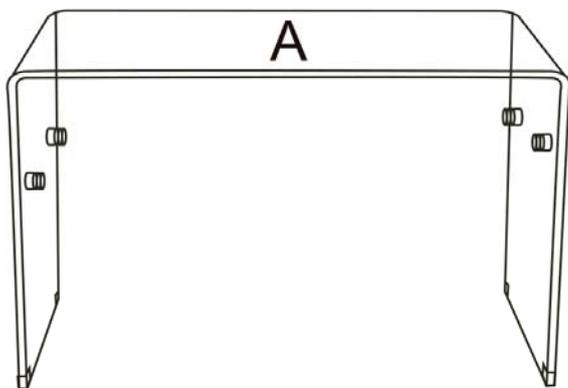
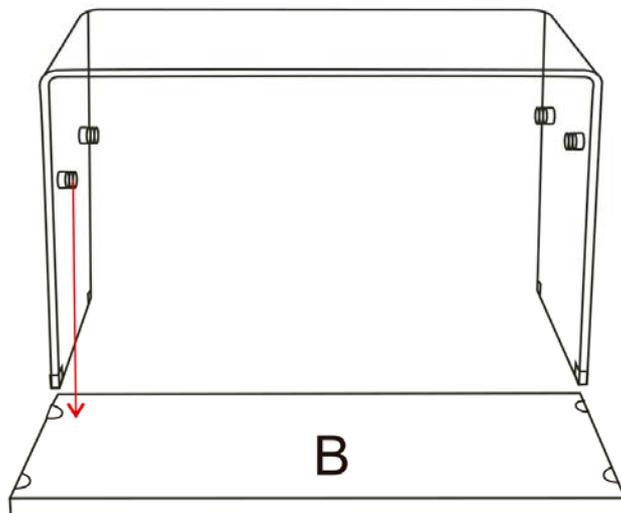


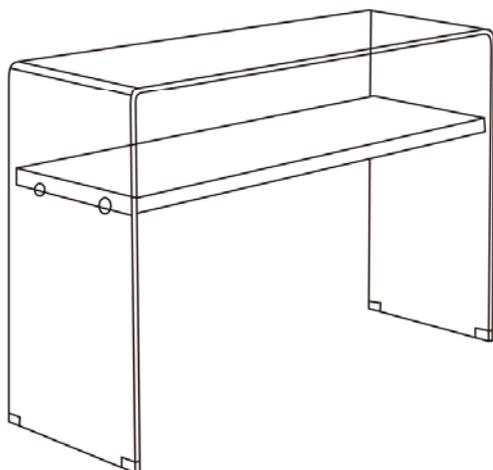
1



2



3



A 1pc

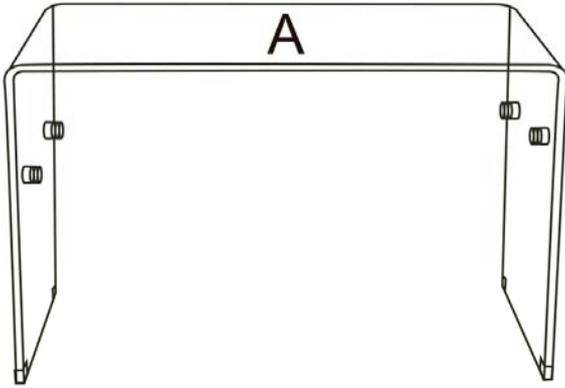


B 1pc

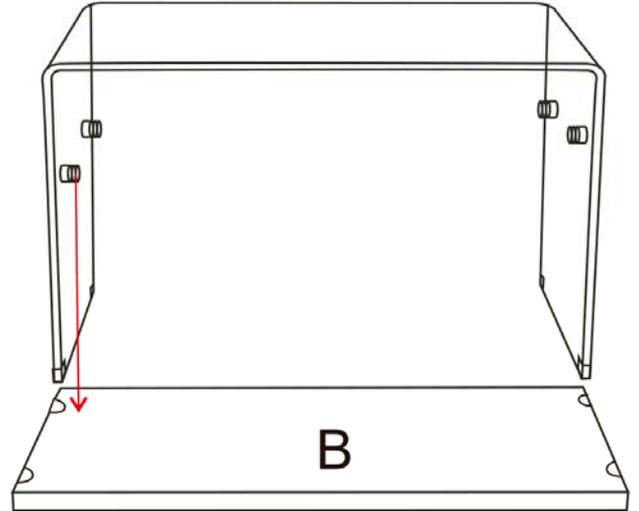
Para ver la ficha técnica de producto completa, puede usar el siguiente código QR:



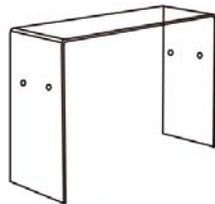
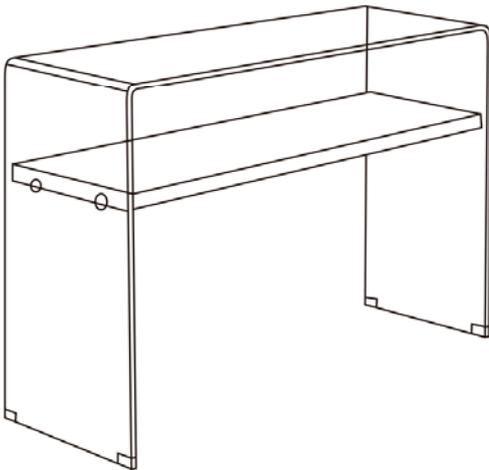
1



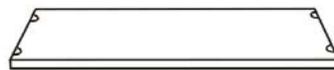
2



3



A 1pc



B 1pc

You may use the following QR code to view the complete technical data sheet of the product:



If you have any technical questions, please do not hesitate to contact our technical Department.
We are at your disposal in our email: irodriguez@schuller.es