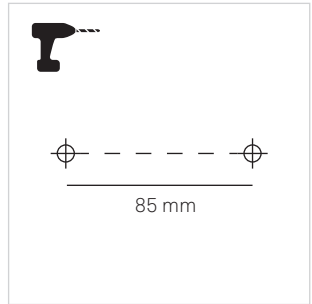
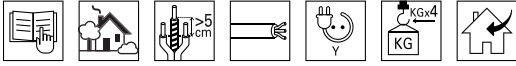


Lampa

DE-0007 DE-0008

FOR
LIGHT



1

2

3

4

5

6

7

8

9

