

DENGLONG T PE OUT

by Neri&Hu, 2016

Suspension lamp. Anthracite lacquered aluminium structure and steel mesh. Top disc in gold lacquered aluminium. Fiberglass diffuser. Led module included.

Type: Suspension lamp

Environment: Outdoor

Structure: Aluminium and steel mesh

Diffuser: Fiberglass

Voltage: 230 V

Supply: Terminal strip

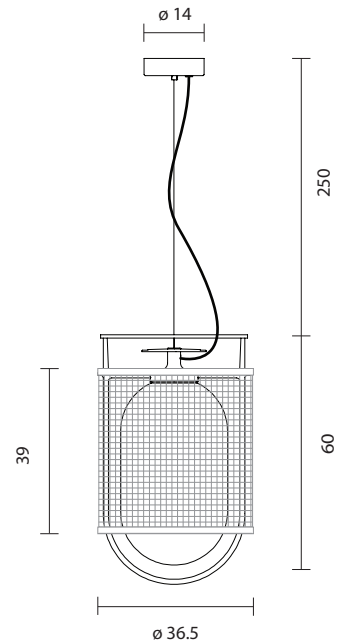
Cable length: 250 cm


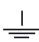
Light source: Module LED $\varnothing 46$ 8.5W 2700K 680Lm

DENGLONG T PE OUT

501000600020 anthracite

 6 kg
8 kg



CE   IP-65