

Products / Planters / Vineyard Planter XI

# Vineyard planter xl

by Ramón Esteve

Vineyard Collection, by Ramon Esteve, is an aluminium and wooden outdoor furniture collection with a rustic and warm style.

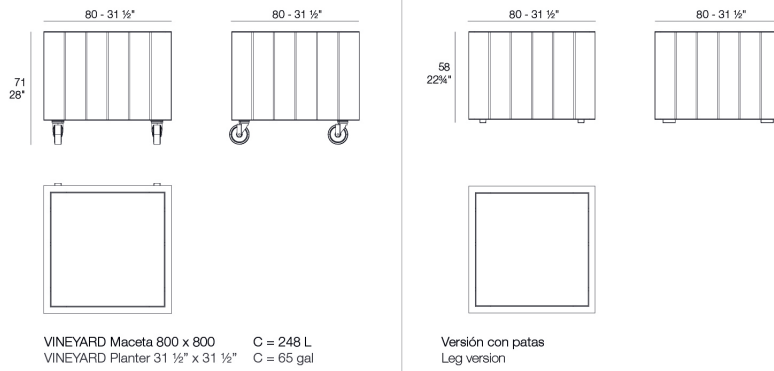


# Info

---

## Description

Weight: 43.7 Kg



# Finishes

---

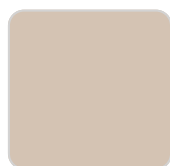
## finishes

---

TekaNaturalRuedas  
Ref. 54509SU



brnze



crema

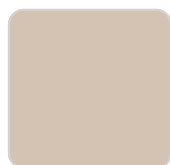


castoro fiber

TekaOscuraRuedas  
Ref. 54509ESU



brnze



crema

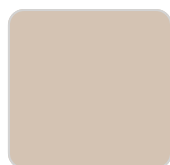


castoro fiber

TekaNaturalPatas  
Ref. 54509



brnze



crema

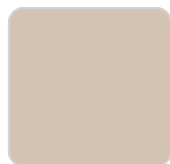


castoro fiber

TekaOscuraPatas  
Ref. 54509E



brnze



crema



castoro fiber

## SolidCoreRuedas

Ref. 54509ZSU



brnze



crema



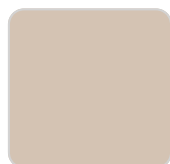
castoro fiber

## SolidCorePatas

Ref. 54509Z



brnze



crema



castoro fiber

## panel/top

---

## PANEL/TOP

Ref. 54509PAN

# Ambients

---

